



Installation and technical manual

KSU 2005/3010

KSO 2005/3010



GB

THESE INSTRUCTIONS SHOULD BE READ CAREFULLY AND RETAINED FOR FUTURE REFERENCE. BE SURE TO OBSERVE ALL LABELS AND WARNINGS ON THE APPLIANCE.

Edition:07/16

Id_Nr. 900 350 190

1. Safety Information

- **The appliance may be used by children older than 8 years old, elderly persons and persons with physical, sensory or mental disabilities or lacking experience and knowledge, if they are under supervision or taught about safe use of the appliance and if they are aware of the potential dangers.**
- **Children should not play with the appliance.**
- **Children should not clean or perform maintenance on the appliance without supervision.**
- **Installation should be carried out in accordance with the valid regulations and according to the instructions of the manufacturer and by qualified staff.**
- **The water heater is constructed for cross-flow (non-pressure) system of installation!**
- **Before connecting it to the power supply, the water heater must be filled with water!**
- **If the heater is to be disconnected from the power supply, please drain any water from the heater to prevent freezing.**
- **Please do not try to fix any defects of the water heater on your own. Call the nearest authorised service provider.**



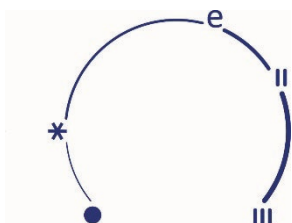
Dear buyer, thank you for purchasing our product. Prior to the installation and first use of the electric water heater, please read these instructions carefully.

This water heater has been manufactured in compliance with the relevant standards and tested by the relevant authorities as indicated by the Safety Certificate and the Electromagnetic Compatibility Certificate. The technical characteristics of the product are listed on the label affixed between the inlet and outlet pipes. The installation must be carried out by qualified staff. All repairs and maintenance work within the water heater, e.g. lime removal, must be carried out by an authorised maintenance service provider.

Installation and technical manual KSU / KSO

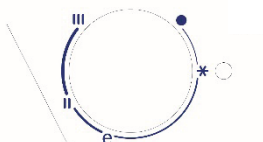
2. Operation

The nameplate is located outside of the jacket shell between the inlet and outlet pipe. For your safety, the unit has been tested to EN safety regulations accordingly.



KSO - Device

We recommend the adjustment of the knob to the position "e". Such an adjustment is the most economic, with it the temperature of water shall be approximately 41 °C in case of KSO/KSU 2005 or 35 °C in case of KSO/KSU 3010, the excretion of limestone and thermal loss shall be smaller as by adjustment to higher temperature (poz. II - 55 °C in III - 75 °C).



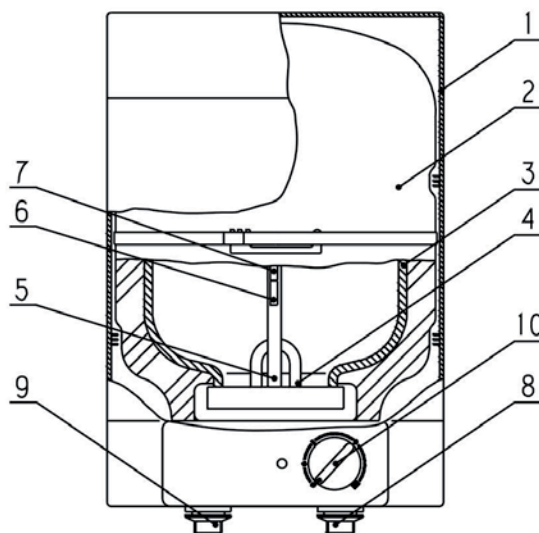
KSU - Device

Set the temperature

position cold	●	Control lamp does not light up
position	* (star)	Anti-freeze protection (15°C)
position	e	EUP temperature 41°C (2005 type) or 35°C (3010 type)
position	II	shower (55°C)
position	III	max. 75°C

Component:

1. housing
2. thermal insulation
3. vessel
4. heating element
5. conduit
6. thermoregulator
7. temperature limiter
8. infow pipe
9. drain pipe
10. temperature knob



After connecting to the water and power supply, the heater is ready for use. By turning the knob of thermostat at the front side of the protecting cover, the wished temperature of water 75 °C is chosen. The operation of electric immersion heaters is shown by pilot light which is lit during the time until the water in the heater is heating to the chosen temperature or to the intended switch off. During the heating the volume of water in the heater is increasing, which causes the dropping of water from the mixing valve. By strong squeezing of the mixing valve the dropping cannot be stopped but the mixing valve can be damaged.

When the heater shall not be used during a longer time, its contents must be protected against freezing so that the electricity shall not be switched off, but the thermostat knob shall be adjusted to the position "*". With this adjustment the heater shall maintain

Installation and technical manual KSU / KSO

the water temperature by approximately 9 °C. But when the heater is switched-off the electric network, at risk for freezing, the water must be emptied from it.

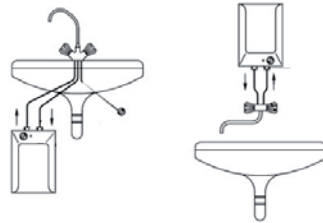
The outside of the heater is cleaned by mild solution of detergent. The solvents or rough cleaning means should not be used. By regular service check impeccable operation shall be assured and a long lifetime of the heater. The first check must be performed by authorised service workshop after approximately two years after the first connection. At check, it necessary lime stone must be cleaned which with regard to the quality, quantity and temperature of the water used is gathered in the inside of the water heater. Service workshop shall after check recommend also the date of next check.

Never try to repair any possible faults of the heater by yourself, but inform about it the nearest authorised service workshop.

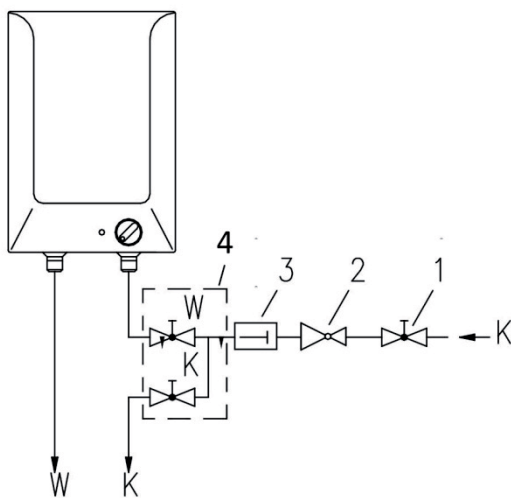
GB

Type KSO for above the sink

Type KSU for under the sink

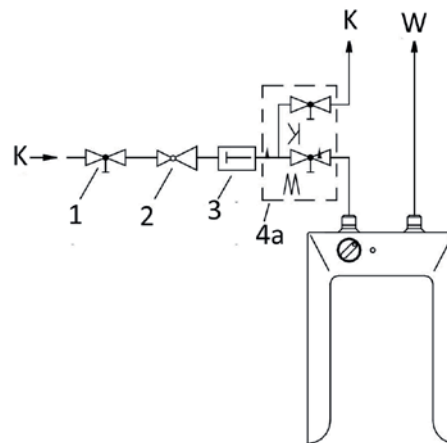


3. Connecting to the water supply



- 1 Closing valve
- 2 Pressure reduction valve
- 3 Non-return valve
- 4 Cross-flow mixing tap

K Cold water
W Hot water



- 1 Closing valve
- 2 Pressure reduction valve
- 3 Non-return valve
- 4a Cross flow mixing tap

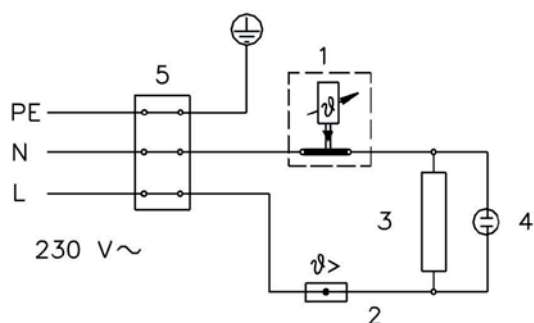
K Cold water
W Hot water

Installation and technical manual KSU / KSO

Prior to the electric connection, the heater must be obligatorily filled with water. By first filling the faucet for the hot water upon the mixing tap must be opened. The heater is filled with water when the water starts to run through the outlet pipe of the mixing tap. If the heater at connection would not be filled with water, at first switching-on the damage of thermal fuse shall occur and the heater shall not operate at all.

4. Connecting the water heater to the power supply network

Connection of the water heater to the electric network must be performed according to standards for electric installation. The heater shall be connected to electric power supply over electric cable with plug. If the built-in cable shall be replaced with a new longer, the built-in cable may be removed and the new connecting cable inserted where the cable wires shall be screwed to the connection terminal. In order to do this the plastic lining of the water heater must be removed. This is done so that at first the plate is removed, inserted in the front side of the plastic lining. The plate is released so that in the slot between the inserted plate and the plastic lining at first at the thermostat knob and on the side in front of the knob cautiously a screwdriver is pushed in. When the plate is released at both sides, it can then be removed by hand. Then the thermostat knob is removed and the screw under the knob is unscrewed. At last also all four screws for fixing of plastic lining are unscrewed and the lining removed.



- 1 Thermostat
- 2 Thermal cut-off
- 3 Heating element
- 4 Pilot lamp
- 5 Connection terminal
- L – Live conductor
- N – Neutral conductor
- PE – Earthing conductor



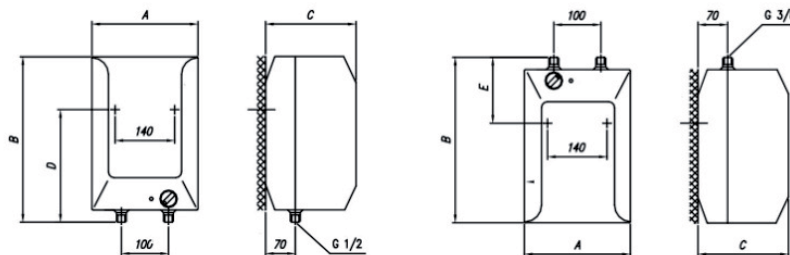
Never try to repair any possible faults of the heater by yourself, but inform about it the nearest authorised service workshop.

The water heater shall be built in according to the drawing and table with dimensions in a premise where there is no frost, as close as possible to the water outlets. It has to be fitted to the wall using appropriate wall screws with a minimum diameter of 5 mm.

With regard to the needs, you can chose execution above the sink (KSO 2005 / KSO 3010) or an execution under the sink (KSU 2005 / KSU 3010).

Installation and technical manual KSU / KSO

Mounting dimensions:



GB

Model	Article Nr.	A	B	C	D	E
KSO 2005	250 580 301	256	390	213	264	
KSU 2005	250 580 300	256	390	213		138

Modell	Article Nr.	A	B	C	D	E
KSO 3010	250 580 100	310	471	265	371	
KSU 3010	250 580 150	310	471	265		196

Technical datas

Modell	KSO 2005	KSU 2005	KSO 3010	KSU 3010
Volume [Litre]	5	5	10	10
Declared load profile	XXS	XXS	XXS	XXS
Energy efficiency class ¹⁾	A	A	A	A
Water heating energy efficiency (nwh) ¹⁾ [%]	32	35	35,3	35,1
Annual electricity consumption [kWh]	525	527	523	525
Daily electricity consumption ³⁾ [kWh]	2,475	2,49	2,464	2,477
Weight / filled [kg]	3,5/8,5	3,5/8,5	4/14	4/14
Input [kW]	2			
Supply voltage [V~]	230			
Protection class	I			
Protection	IP 24			
Warm-up time from 10 ° C to 65 ° C [min]	10	10	20	22
Water pressure min. [bar]	0,5			
Water pressure max. [bar]	5			
Temperature setting of the thermostat	e*			
Mixed water quantity at 40°C ²⁾ [l]	10	10	17,2	16,4
Standby power consumption at 65 ° C [kWh / 24h] and room temperature of 20 ° C	0,28	0,33	0,5	0,52

1) Commission Regulation EU 812/2013; EN 50440

2) These values apply to the mixing of the water from the water pipe of about 10 ° C and the hot water from the hot water storage at a water temperature of about 65 ° C. EN 50440

*) Position "e" of knob means setting temperature of about 41 ° C at 5l device and 35 ° C at 10l device

TECHNOTHERM Kundendienst:
Fon: 0911 937 83 210



Lucht LHZ Elektroheizung GmbH & Co. KG
Obere Hauptstr. 61
09232 Hartmannsdorf
Fon: 03722 63370
Fax: 03722 633720
E-mail: info@Technotherm.de
Web: www.Technotherm.de